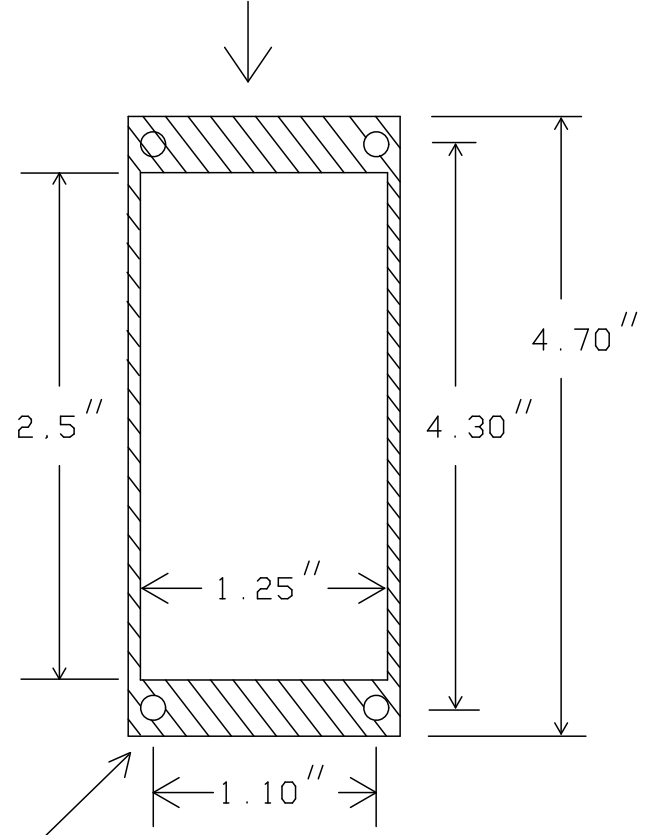


TYPICAL LENS
CUT-OUT
DIMENSIONS

LENS BY FIXTURE
MANUFACTURER



#6-32 X 1-1/4 STUD MIN
(TYP. 4 PLACES)
CUT-OUT TOLERANCE:
+.020/- .000

LED DIGITAL INDICATOR DISPLAY 1-DIGIT 1-INCH

ESIDPI2

ELEVATOR SYSTEMS, INC

8-14-03